

FIG 1  
RELATED ART

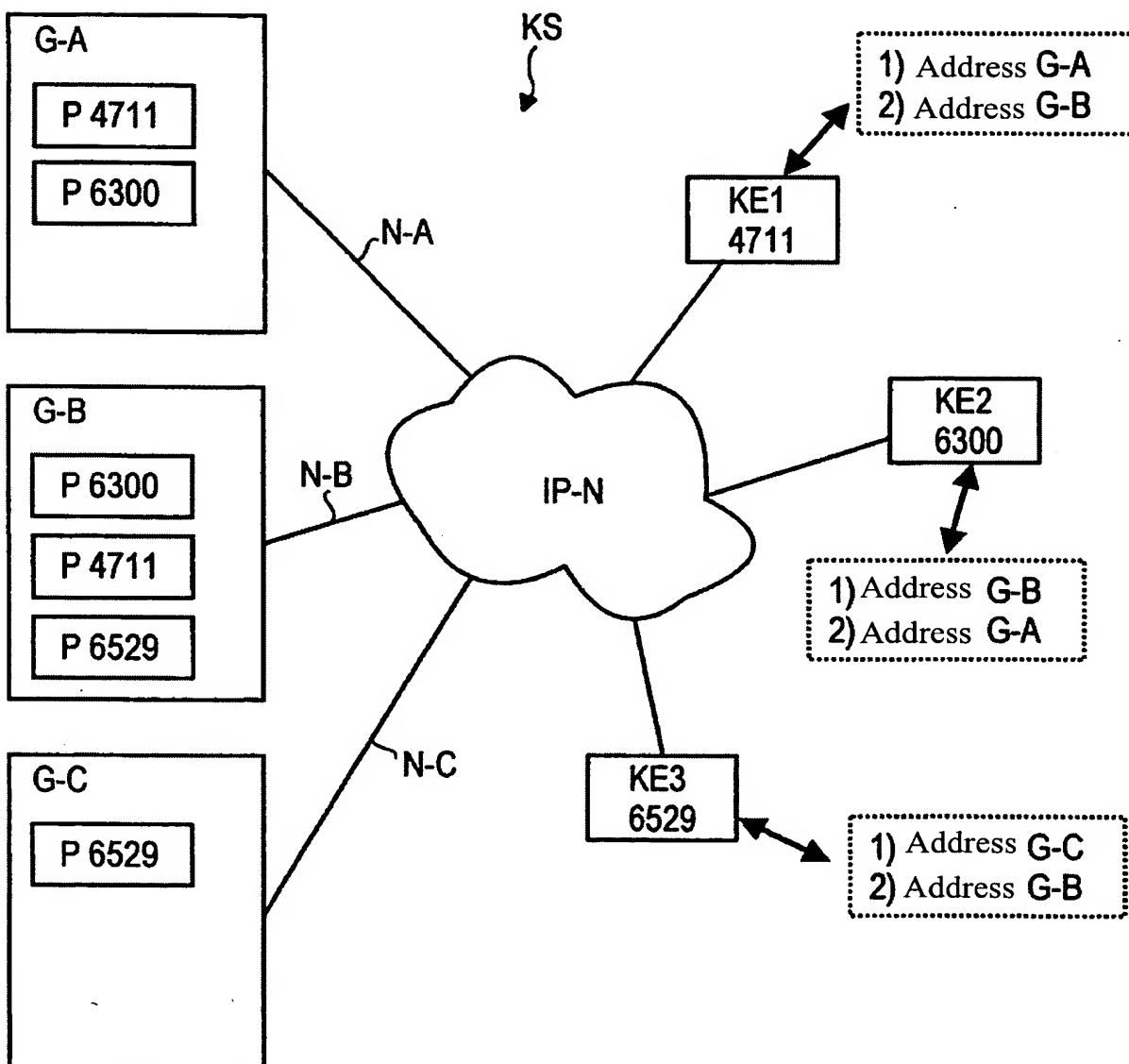


FIG 2

